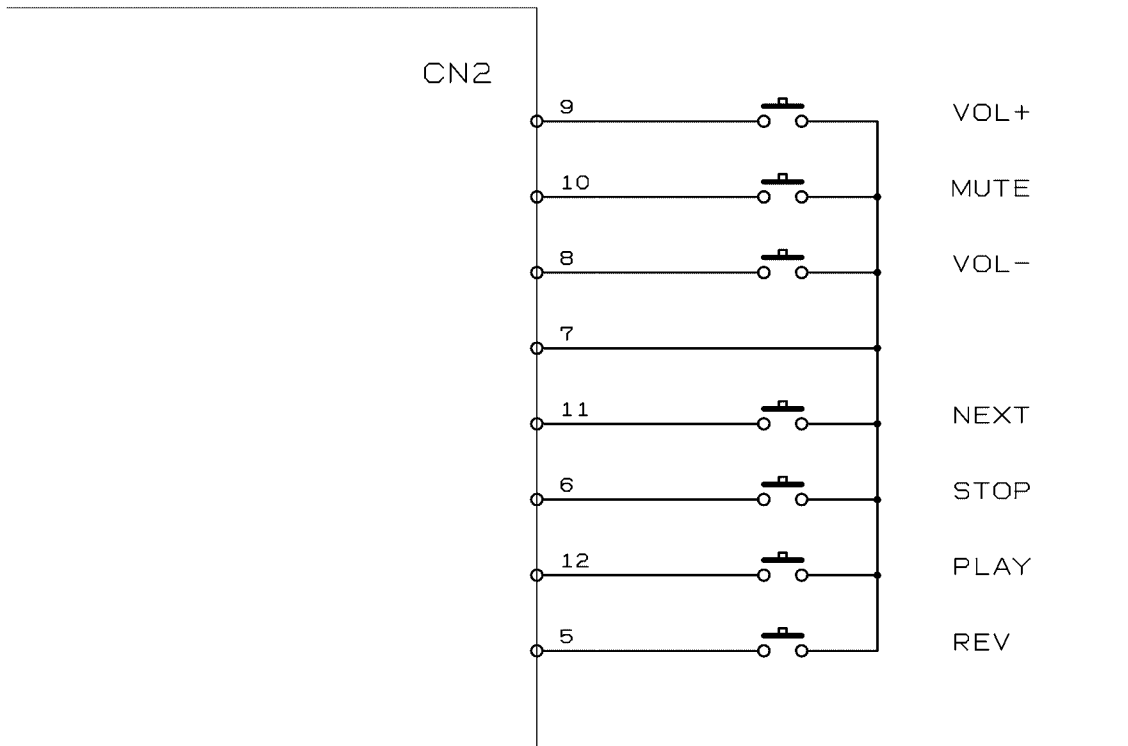


# Remote SW



# Optical Out

